



LUXMAN



ISO9001
ISO14001



RoHS
Compliant

IP66
IK10

LUMILEDS
The Brighter Choice

POWERED BY
MW
MEAN WELL

5 YEAR
WARRANTY





Overview

The LUXMAN® G2-Series LED street lights are using LUMILEDS® LUXEON 3030 2D luminous source, providing excellent lumen output, long-lasting stability and splendid sight.

The LUXMAN G2-Series LED street lights have a high luminous efficiency and better service life. Provide 5 years warranty on luminaire.

Color Options

☐ Silver Gray ☐ Black

LED LUMINOUS SOURCE



LED DRIVER



High-end Mean Well HLG Series LED driver, optimal stability, performance and lifespan.



LED MODULE



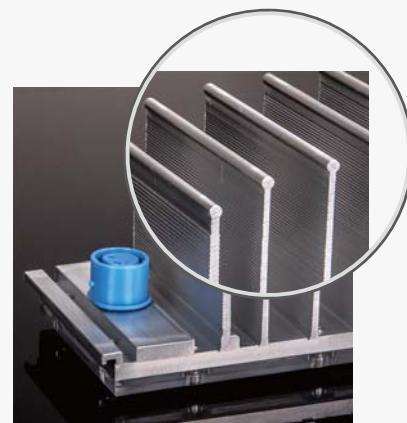
Exquisite design with powerful thermal dissipation and IP67 waterproof performance.



Overall stainless steel screws adopted.

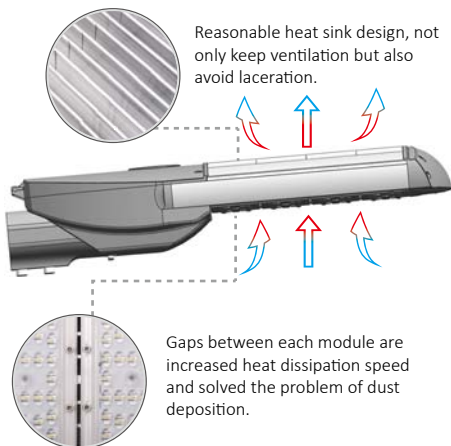


Black & Silver Color Modules.



Cylindrical edge design, avoid cut risk.

XTRME LUMINAIRE DESIGN



Reasonable heat sink design, not only keep ventilation but also avoid laceration.

Gaps between each module are increased heat dissipation speed and solved the problem of dust deposition.

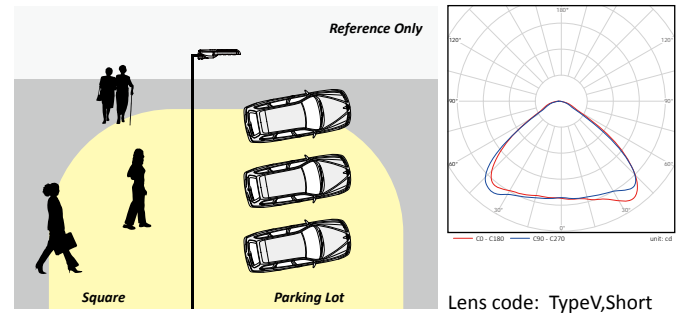
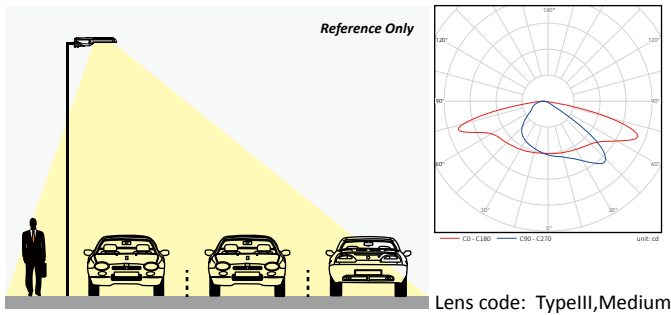
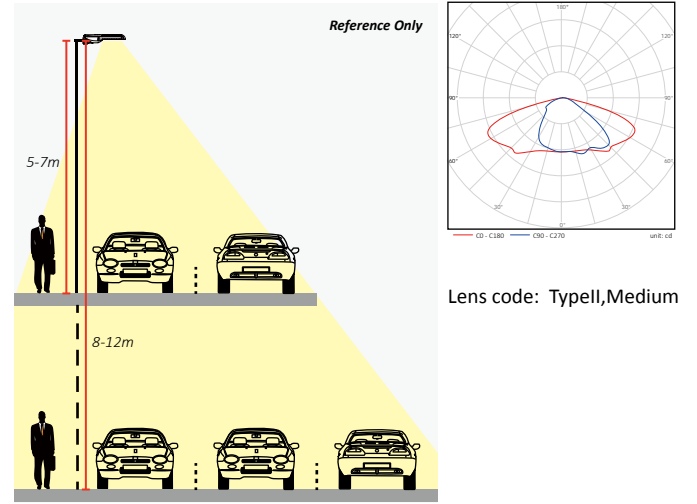
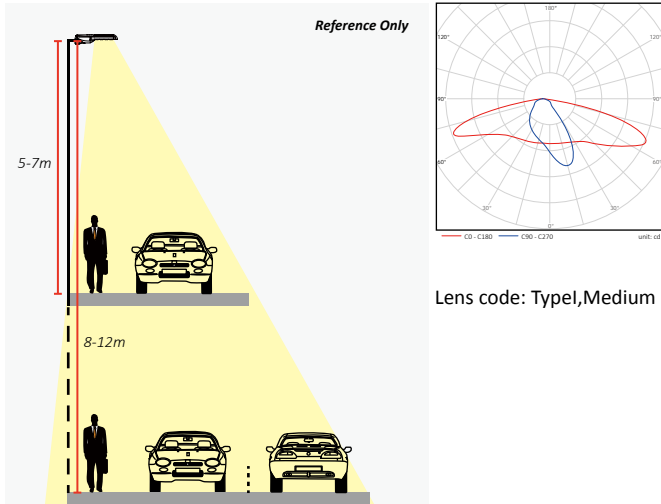
FLEXIBLE INSTALLATION



Innovative pole fitter design not only achieve the horizontal and vertical installation features, also has 0-15° adjustable function for each installation direction.



Application (Driverway width=3.5M):
Urban Main Roads | Highway | Parking Lot | Area



Professional lens design, suitable for various applications.



Luminaire body is fixed by two M8x16 fortified stainless steel screws.



Rational clamshell design for wiring compartment, sturdy and durable.



Use stainless steel screws for whole luminaire, no corrosion worries.



Use German **MGO** connectors for internal wiring, safe, convenient & fast.



Innovative pluggable connector, clean & efficient.



Neat inner cavity structure, ensure the thermal convection of LED driver.



Full aluminum made, sufficient heat dissipation area.

DETAILED FEATURES





- for Roads, Ecuador



- for Squares, UAE



- with Solar Power, France



- for Parking Lots, United Kingdom



- for Outdoor Warehouses, Austria



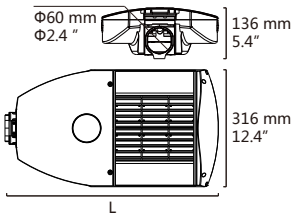
- for Wall Mounting, Sweden





Product	LX-LD40WG2	LX-LD80WG2	LX-LD120WG2	LX-LD160WG2	LX-LD200WG2
Nominal Wattage	40W	80W	120W	160W	200W
LED Working Current	100 mA	110 mA	110 mA	110 mA	110 mA
Number of Modules	1	2	3	4	5
Input Voltage	100-240V /277V AC 50 /60Hz				
Dimming	1-10V, PWM, Resistance, Timer				
LED Brand	Philips Lumileds 3030				
Driver Brand	Mean Well Driver				
Max. Current @ 120V	0.41A	0.82A	1.23A	1.65A	2.06A
Max. Current @208V	0.24A	0.47A	0.71A	0.95A	1.19A
Max. Current @240V	0.21A	0.41A	0.62A	0.82A	1.03A
Max. Current @277V	0.18A	0.36A	0.53A	0.71A	0.89A
Operating Temperature	-40 °C to +50 °C				
Power Factor (PF)	>0.95				
THD	<20%				
Lumen Output (+/- 5%)	5200 lm	10400 lm	15600 lm	20800 lm	26000 lm
Luminaire efficacy	130 lm /w	130lm /w	130 lm /w	130 lm /w	130 lm /w
Optic	TypeI, Medium; TypeII, Medium; TypeIII, Medium; TypeV, Short				
CRI	>70				
CCT	3000K (Warm White), 4000K (Nature White), 5000K (Pure White), 5700K (Cool White)				
Rating	IP66, IK10				
Material	Housing: Die-cast aluminum; Heat sink: Stretched Aluminium Alloy; Lens: PC				
Installation	Horizontal and vertical installation for optional; Adjustable tilt angle: 0-10-15°				
Accessories (Optional)	Photocell; Surge Protection Device(6KV /10KV); Adapter for 40 /42mm pole mounting (Normal mounting Ø 60 mm)				
Shell Color	Silver (RAL9022) or Black (RAL9005), other RAL colors available on request				
Lumen Maintenance	> 75,000 hours-L ₇₀ at 25 °C				
Certifications	CE, ROHS, IOS9001, ISO14001, LM80				
Packaging Type	1 unit /ctn.				

DIMENSION DATA

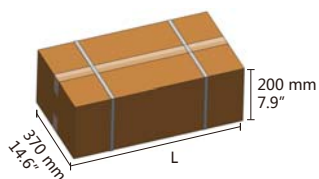


Number of Modules	1	2	3	4	5
"L" Length	431 mm 17.0"	504 mm 19.8"	577 mm 22.7"	650 mm 25.6"	723 mm 28.5"
Weight	5.3 kg 11.7 lbs.	6.1 kg 13.4 lbs.	7.3 kg 16.1 lbs.	8.2 kg 18.1 lbs.	9.0 kg 19.8 lbs.

LUMEN MAINTENANCE

Ambient Temperature	TM-21 Lumen Maintenance (54,000 Hours)	Theoretical L70 (Hours)
25 °C	78.05%	82,000
40 °C	78.99%	79,000
50 °C	78.49%	75,000

PACKAGING DATA



Number of Modules	1	2	3	4	5
"L" Length	480 mm 18.9"	555 mm 21.9"	630 mm 24.8"	705 mm 27.8"	780 mm 30.7"
Weight	6.3 kg 13.9 lbs.	7.3 kg 16.1 lbs.	8.6 kg 19.0 lbs.	9.6 kg 21.2 lbs.	10.6 kg 23.4 lbs.

DC INPUT VOLTAGE (OPTIONAL)

Model	Input Voltage	Max. Current
LX-LD40WG2	12V/24V	5.14A @12V , 2.57A@24V
LX-LD100WG2	24V	5.14A @24V

CERTIFICATION

IP66 / IK10 Rated CE / ROHS IOS9001, ISO14001



LED STREET LIGHTS

Dimming

Dimming functions are supported by optional

† Three in One (1-10V DC or PWM Signal or Resistance)

† Output constant current level can be adjusted through out put cable by connecting a resistance or 1 ~ 10Vdc or 10V PWM signal between DIM+ and DIM-.

† Please DO NOT connect "DIM-" to "-V".

† Reference resistance value for output current adjustment (Typical)

Resistance value	10KΩ	20KΩ	30KΩ	40KΩ	50KΩ	60KΩ	70KΩ	80KΩ	90KΩ	100KΩ	OPEN
Percentage of rated current	10%	20%	30%	40%	50%	60%	70%	80%	90%	100%	95% ~ 108%

† 1-10V dimming function for output current adjustment (Typical)

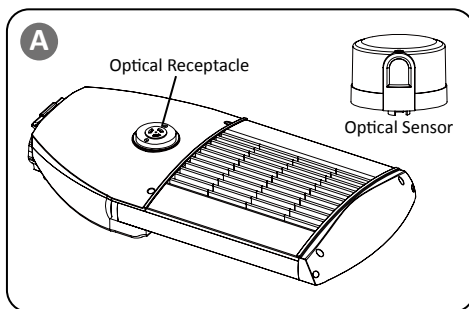
Dimming value	1V	2V	3V	4V	5V	6V	7V	8V	9V	10V	OPEN
Percentage of rated current	10%	20%	30%	40%	50%	60%	70%	80%	90%	100%	95% ~ 108%

† 10V PWM signal for output current adjustment (Typical): Frequency range: 100Hz ~ 3KHz

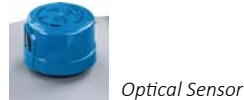
Resistance value	10%	20%	30%	40%	50%	60%	70%	80%	90%	100%	OPEN
Percentage of rated current	10%	20%	30%	40%	50%	60%	70%	80%	90%	100%	95% ~ 108%

Optical Control

Optical control function is supported by optional



If the fixture with OPTICAL CONTROL function, the Optical Receptacle will be installed on the cover of fixture. See **A**. Fit the pins of Optical Sensor to Optical Receptacle, firmly insert and rotate Optical Sensor to proper position.



Optical Sensor

Time Control Dimming

Time control dimming function is supported by optional - Contact LUXMAN for Details

AFTER-SALE SERVICE

Shenzhen Luxman Light CO.,LTD. ("Luxman") warrants this Luxman-branded hardware product against defects in materials and workmanship under normal use for a period of FIVE (5) YEAR from the date of purchase. Luxman provides free repair or replacement within warranty period. Luxman shall charge against defeats by abnormal storage, usage, connec on or change the structure or any components of the product.

*Damage by thunder stroke over 4KV(L,N to FG) /2KV(L to N) will not covered by warranty based on IEC61000-4-5.

The product (LED lighting equipment, electrical, electronic equipment) should not be placed in municipal waste. Check local regulations for disposal of electronic products.

- Features and specifications are subject to change without notice.
- The product color may be different with actual due to discrepancy of camera or screen settings.

